

IMPOT serial Membrane Potentiometer

i-Motion's potentiometers are customizable membrane position sensors with a flexible, ultra-thin, light weight profile. It has 2 standard formations, strip and ring. Its low power requirements and linear output make it the ideal position sensor for many applications.

1. Features:

- Available in both ring and strip formations
- Linear output
- Resistance proportional to contact placement
- IP65 dust proof, water proof(intense spray)

2. Structure of potentiometer



3. Physical properties

- Thickness: 0.4mm(without back adhesive)
- Connector: Optional
- Length&width refer to item 4-Dimensional diagram
- Substrate: Polyester
- Optional back adhesive: 0.05mm, 3M 200MP adhesive

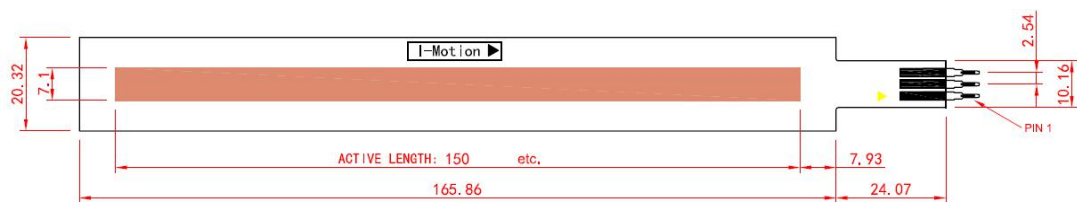
4. Typical performance

- Resistance: Standard 10K ohms
- Resistance tolerance: $\pm 20\%$

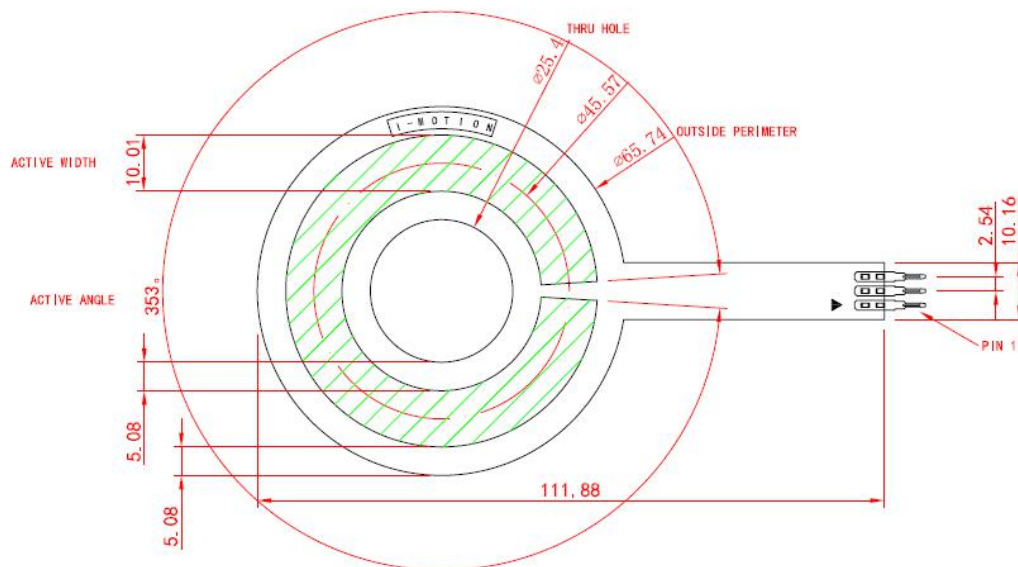
- Linearity: strip $\pm 3\%$; ring $\pm 5\%$
- Actuation force: 100 grams

5. Dimensional diagram

5.1 standard type in strip formation



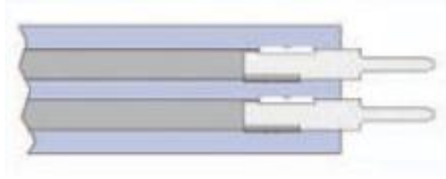
5.2 standard type in Ring formation



6. Standard connection options

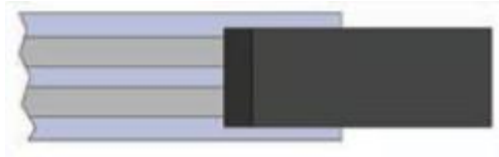
For single channel potentiometer the standard connection is a 3-wire system with two resistive output channels and one collector channel. It can also be a 2-wire system with one resistive output channel and one collector channel.

- Solder Tab/Square male pins



Compare with solder tab, square male pins can be connected with female socket while solder tab can not.

- Female Receptacles with housing



7. Customization

The size, shape and resistance can be customized for the client. When you have the request Please feel free to contact us!

8. Contact us

I-Motion Sensor	0086-13601207437	www.imsensorhub.com	13601207437@163.com
-----------------	------------------	--	--